

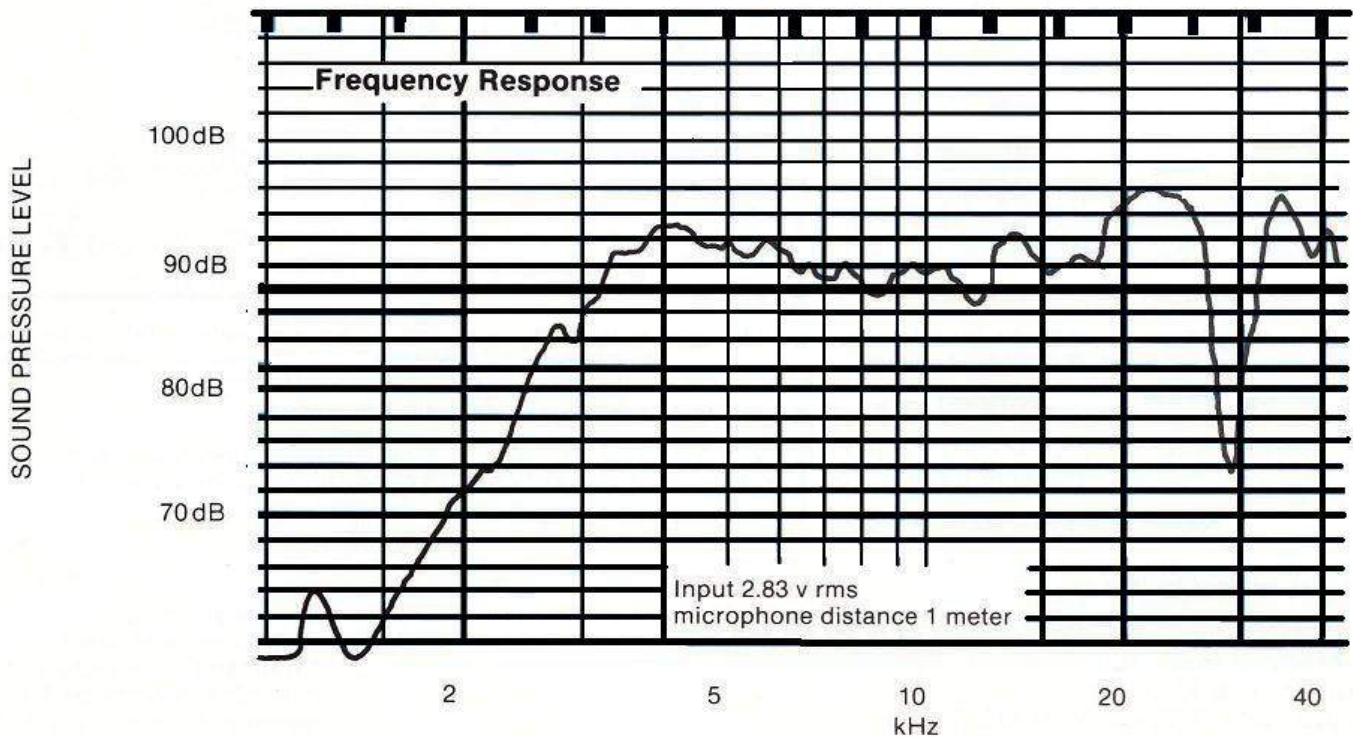
Piezo Ceramic Speakers

Model KSN 1016A Wide Dispersion Horn

The model KSN1016A 2" x 5" horn has a full 90° included angle horizontal dispersion with lightweight and excellent sensitivity (91 dB @ 1M/1W) making the KSN1016A well suited for high quality sound systems.

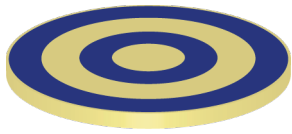


KSN 1016A



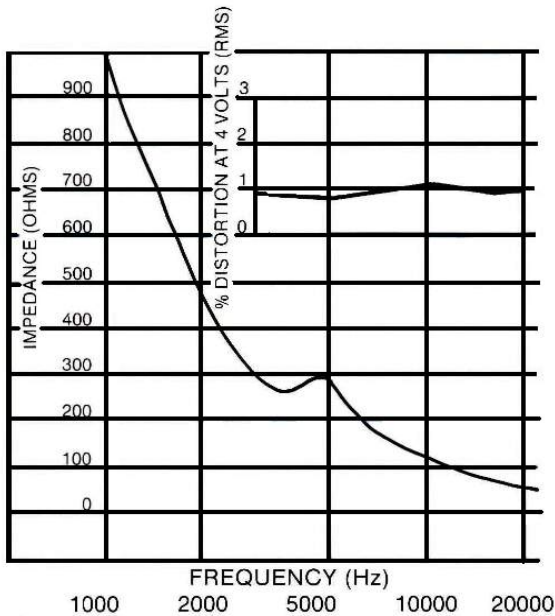
www.piezosource.com

250 East Gish Rd
San Jose, CA 95112
Phone: 408-487-1700
Fax: 408-487-1707
Email: sales@piezosource.com



Piezo Ceramic Speakers

Impedance, and Distortion Ratings



KSN 1016A Specifications

Frequency Response: 3 kHz to 40 kHz

Average Sensitivity: 91 dB at 1m/1W

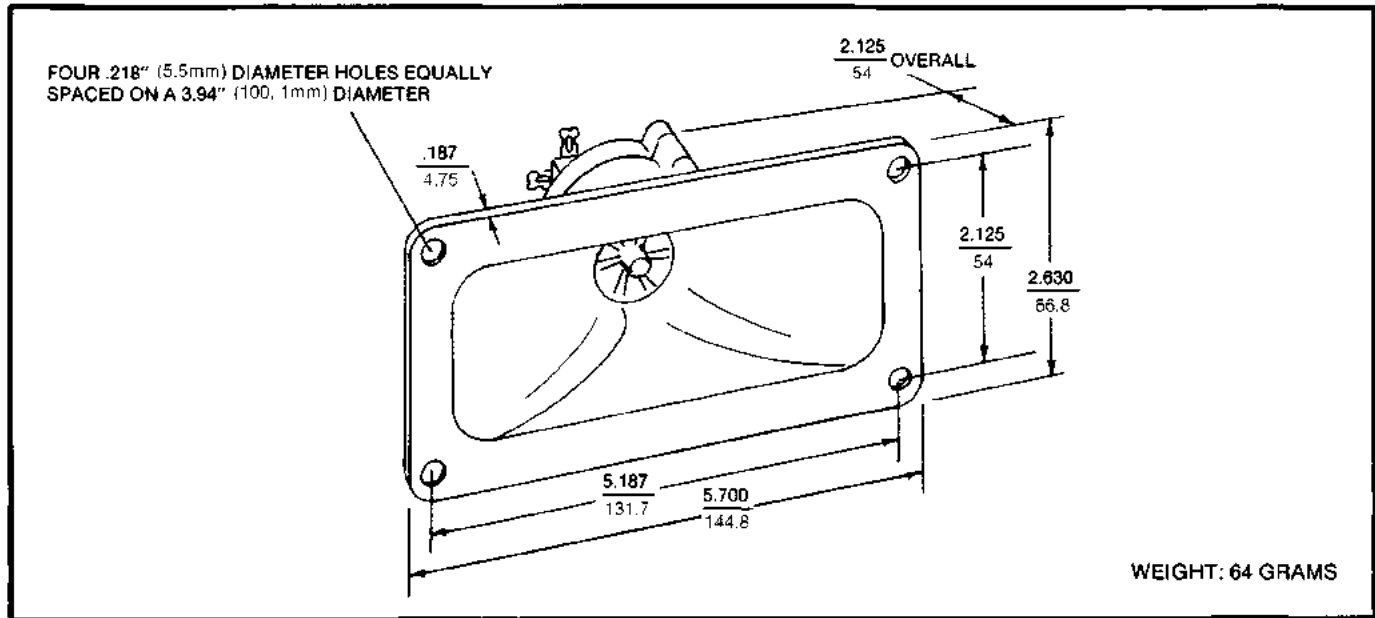
Maximum Power Handling Capacity: 75 W (EIA RS426)
(8 Ω system reference)

Maximum Voltage: 15 V rms continuous
35 V rms intermittent

Maximum Temperature: 80°C

Typical Impedance: Appears as a 01.3 μF capacitor

Dimensions: KSN 1016A



All dimensions are $\frac{\text{inches}}{\text{millimeters}}$

Warning: Do not operate at continuous high voltage; at frequencies below 20 kHz, daily sound pressure exposures in excess of one hour at 105 dB may lead to hearing impairment.

Warning: A 30 ohm series resistor is recommended to assure stability of extended range amplifiers and preclude hazard of burn-out.



www.piezosource.com

250 East Gish Rd
San Jose, CA 95112
Phone: 408-487-1700
Fax: 408-487-1707
Email: sales@piezosource.com