

Piezo Ceramic Speakers

Model KSN 1212A Alarm Speaker

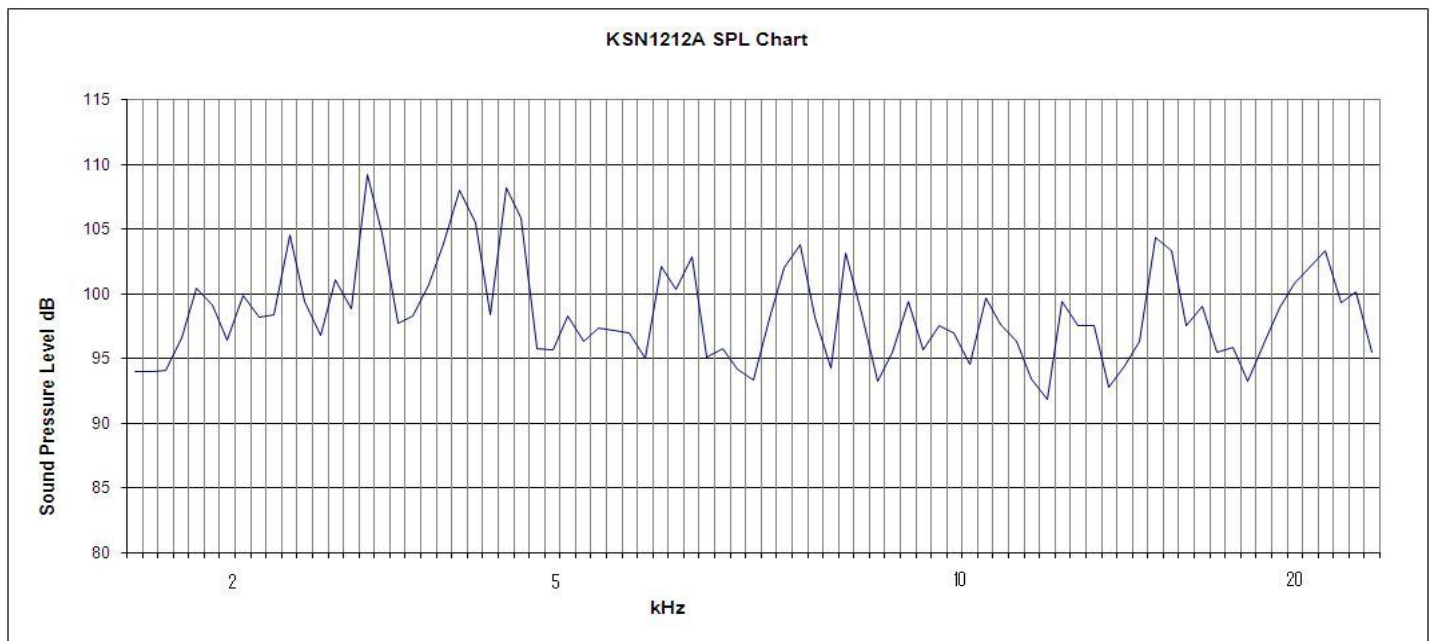
The KSN1212A provides the following advantages:

- *Sound Pressure Levels up to 116 db at 1 meter, PCB mounted.
- *Multiple mounting options: PCB, Panel Mount Flange Mount, Port/Horn Interface
- *Rugged construction for harsh environment.



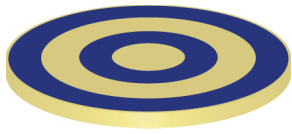
KSN 1212A

KSN 1212A FREQUENCY RESPONSE



www.piezosource.com

250 East Gish Rd
San Jose, CA 95112
Phone: 408-487-1700
Fax: 408-487-1707
Email: sales@piezosource.com

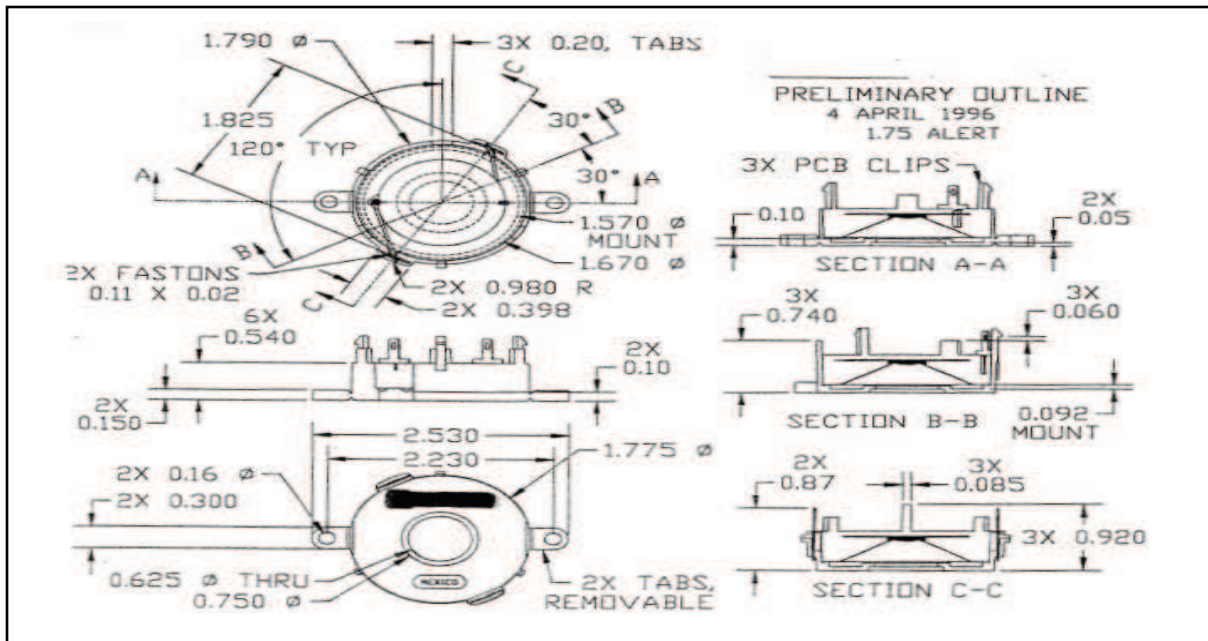


Piezo Ceramic Speakers

KSN 1212A Specifications

Frequency Response:	2.2 kHz to 4 kHz
Average Sensitivity:	110 dB at 1ft/12.0V
Drive Voltage (Continuous):	50V P-P Square Wave (With 20 Ω Series Resistor) 85V P-P Sine Wave
Diameter:	1.78 inches
Temperature Range:	80°C -40° C to 105 C at 95% R.H.
Capacitance:	Appears as a 0.21 μ F

KSN 1212A DIMENSIONS



Warning: Do not operate at continuous high voltage; at frequencies below 20 kHz, daily sound pressure exposures in excess of one hour at 105 dB may lead to hearing impairment.



www.piezosource.com

250 East Gish Rd
San Jose, CA 95112
Phone: 408-487-1700
Fax: 408-487-1707
Email: sales@piezosource.com